

JUBE

Design FAVARETTO & PARTNERS

JUBE LT G

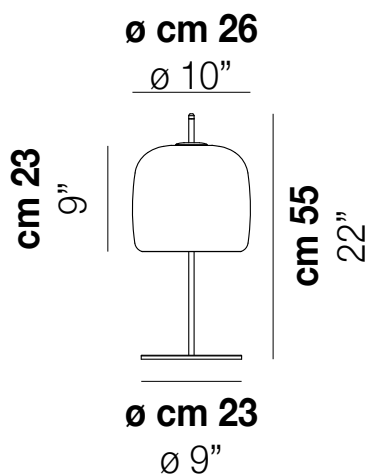


Essential, sinuous and delicate, was born from the union of two blown glasses that, once assembled together, create an overlapping, ton sur ton effect with a retro charm. Thanks to a powerful waterjet, which perforates glass with holes of a very large diameter, the fusion of the glasses is perfectly integrated, so two glasses look like a single piece.

LED light source.



JUBE LT G



TECHNICAL DATA:



CERTIFICATIONS:



LED G
 20.5W
 3.000K
 1x19,5w 220-240V
 50/60 Hz LED

VOLUME Mc 0,12
 GROSS WEIGHT Kg 5
 NET WEIGHT Kg 2

download



SHADE FINISHING



CR

FU

TB

VA

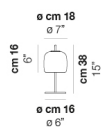
FRAME FINISHING



OS

OTHER VERSION AVAILABLE

Click on the version to go to the web version of the product



JUBE LT P